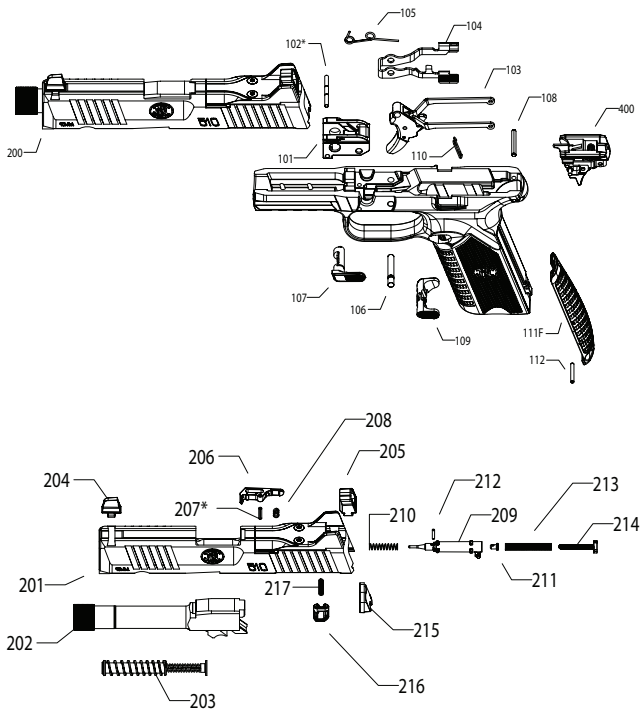
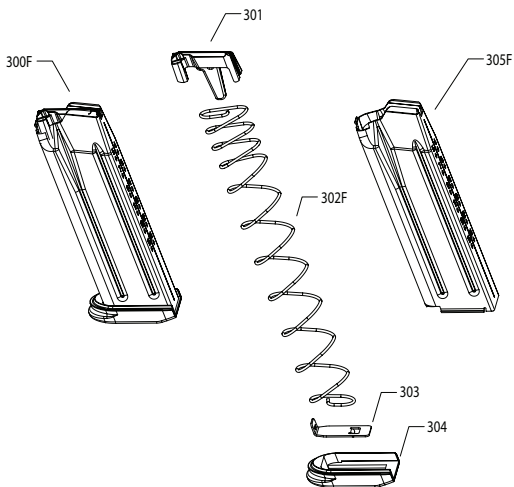
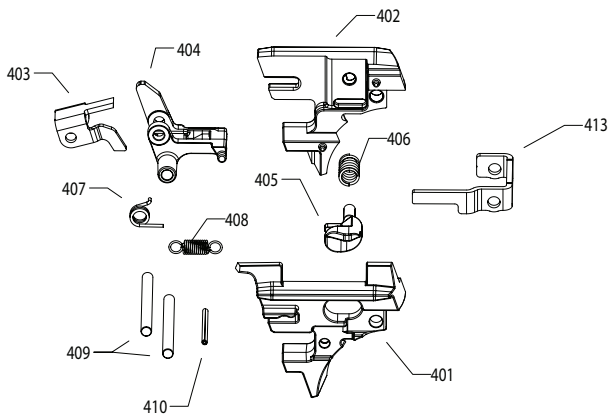


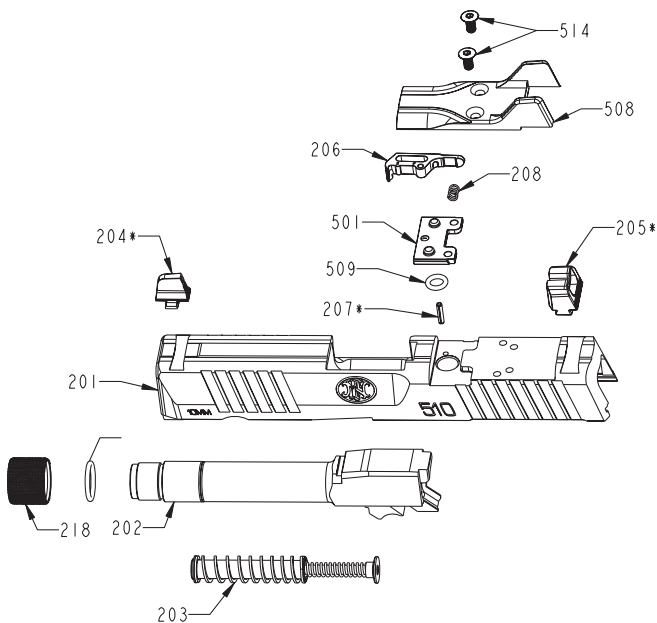
## 13. FN 510 AND FN 545 SCHEMATIC AND PARTS LIST



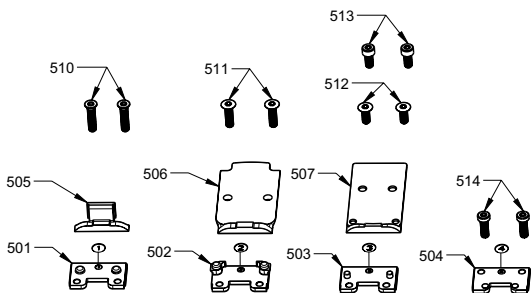
\* Replacement recommended after removal



## 13.1 FN 510 AND FN 545 TACTICAL MODEL SLIDE ASSEMBLY UNIQUE PARTS

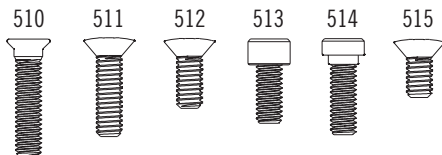


\* Replacement recommended after removal



**NOTE:** MRD Plates identification markings. Example 501 is marked 1.

### How to identify Screw types



**NOTE:** Optional MRD Mounting hardware available

